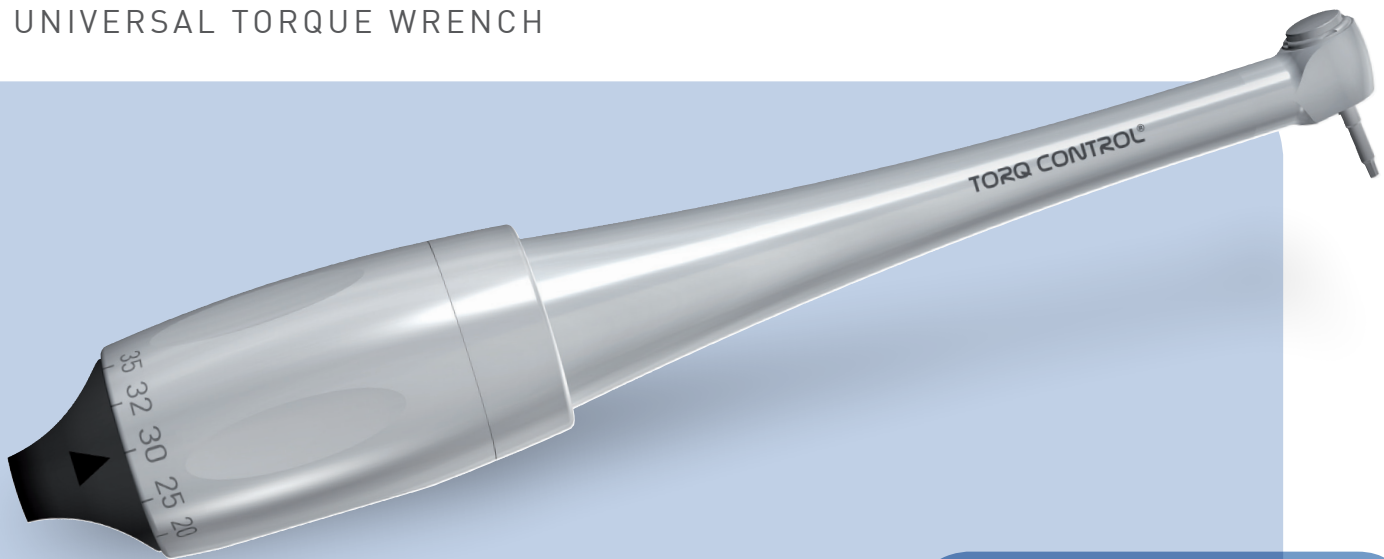


PRECISION - SAFETY - COMFORT

# TORQ CONTROL®

ONLY  
135g

UNIVERSAL TORQUE WRENCH



*Secure  
tightening*

anthogyr

A global solution for dental implantology

## OPTIMISE THE TIGHTENING OF YOUR PROSTHETIC CONSTRUCTIONS IN TOTAL SAFETY

The success of the implant treatment depends on the precise tightening of the parts placed directly on the implant. A pre-stressed tightening of the screw will help avoid any risk of screw loosening. Also, high tightening torques may lead to screw fracture.

A calibrated tightening can only be guaranteed through the use of a precision instrument offering a torque control system. **The dynamometrical manual wrench TORQ CONTROL® has been specially designed by anthogyr to meet those requirements.**

### 3 EASY AND SIMPLE STEPS



1. Select the recommended torque



2. Tightening



3. The screw automatically stops when the selected torque is reached

## PRE-STRESSED ASSEMBLING TECHNIQUE

This technique optimises the tightening of the fixing screw into the prosthetics parts. The torque value necessary to attain this tension is determined according to the elastic limits of the screw.

Screw	Material	Torque
M2	Ta6V titanium alloy	Between 30 and 35N.cm
M1.4	Ta6V titanium alloy Gold (e.g. Pivozyl®2)	15N.cm

These values are supplied for information only. Please follow implant manufacturer's recommendations to select the appropriate torque value.

10 N.cm is the recommended torque to tighten cover screws and healing screws in the most difficult to reach areas.

## PRODUCT ASSETS

### UNIVERSAL TORQUE WRENCH

→ Recommended with any type of implants

### HIGH PRECISION

→ Perfect control of torque  
→ 7 torques values : 10/15/20/25/30/32/35N.cm

### OPTIMUM SECURITY

→ Automatic declutching  
→ Prevents the screw from loosening and fracture

### ERGONOMIC DESIGN

→ Lightweight for a better freedom of movement : only **135g** !  
→ Optimized access in mouth thanks to the micro-head.  
→ 100° angulated micro-head for easy access in mouth (posterior areas)



### RELIABILITY

→ High precision design and manufacturing

### EASY MAINTENANCE

→ It can withstand sterilization (in an autoclave at 135° C)  
→ One piece design with smooth surface to limit bacterial retention

### REFERENCE

15501 : Universal torque wrench + tip for lubricating